

MAMMOTH-180

LOCINOX®

WWW.LOCINOX.COM



USER GUIDE

- ENGLISH
- NEDERLANDS
- FRANÇAIS
- DEUTSCH

- As manufacturer of this product, we guarantee that we have taken all the necessary steps in order for this product to comply with the current safety requirements.



Copyright

Copyright © 2014 Locinox. All rights reserved.

This product incorporates copyright protected technology that is protected by a number of EU patent method claims and other intellectual property rights owned by the Locinox Corporation and other rightholders.

Use of this copyright protected technology must be authorized by the Locinox Corporation. Reverse engineering or disassembly is prohibited. No part of this publication can either be reproduced, communicated, transcribed, stored in a retrieval system or be translated into any language in any form or by any means, whether electronic, mechanical, magnetic, optical, chemical, manual or otherwise, unless explicit written consent has been given by the copyright holder.

Notice

The contents of this publication is subject to change. The company reserves the right to alter the contents of this publication at any time and without notice. The contents of this publication may contain inaccuracies or typographical errors and is supplied for informational use only.

Technical Support

If you require any additional information or assistance during the installation, please contact your dealer, who will be able to provide the latest information. Alternatively, you can visit the Locinox website for more technical information or e-mail us on sales@locinox.com

INDEX

Manual - English

1. Introduction
2. Package Contents
3. Specifications
4. Dimensions
5. Choose the turning-direction of your gate
6. Profile preparation
7. Mammoth and Dino preparation
8. Mounting the gated closer
9. Finishing Mammoth-180 and Dino
10. Speed and final snap adjustment
11. Force adjustment

Handleiding - Nederlands

1. Inleiding
2. Inhoud
3. Specificaties
4. Dimensies
5. Keuze van draairichting van de poort
6. Voorbereiding van de profielen
7. Voorbereiding van Mammoth en Dino
8. Montage van de poortsluiter
9. Einde installatie Mammoth-180 en Dino
10. Instellen van sluitsnelheid en eindslag
11. Instellen van de sluitkracht

Manuel - Français

1. Introduction
2. Contenu du produit
3. Spécifications
4. Dimensions
5. Choisir le sens d'ouverture de votre porte
6. Préparation des profils
7. Préparation du Mammoth-180 et du Dino
8. Montage de la charnière Ferme-porte
9. Finition Mammoth-180 et Dino
10. Speed and final snap adjustment
11. Force adjustment

Betriebsanleitung - Deutsch

1. Einleitung
2. Inhalt
3. Spezifikationen
4. Dimensionen
5. Bestimmen Sie die Drehrichtung Ihres Tores
6. Vorbereitung der Profile
7. Vorbereitung von Mammoth und Dino
8. Montage des Türschliessers
9. Ende Installation Mammoth und Dino
10. Einstellen von Geschwindigkeit und Endschiag
11. Einstellen der Kraft

MAMMOTH-180



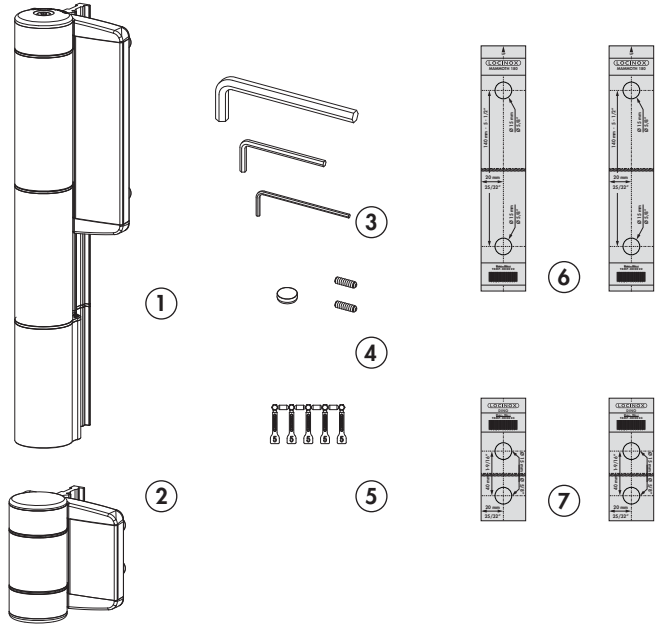
Manual - English

1. Introduction

Thank you for choosing a Locinox gatecloser! Please read the following instructions carefully before mounting the Mammoth-180 & Dino to your swing gate. Enclosed you will find all relevant user information concerning the Mammoth.

2. Package Contents

Please check if your package contains the following items:



①	Mammoth-180 gatecloser
②	Din
③	Allen keys 10 - 5 - 3
④	Cover cap (1x) & Setscrew (2x)
⑤	Hexplugs
⑥	Drilling templates for Mammoth 180°
⑦	Drilling templates for Dino

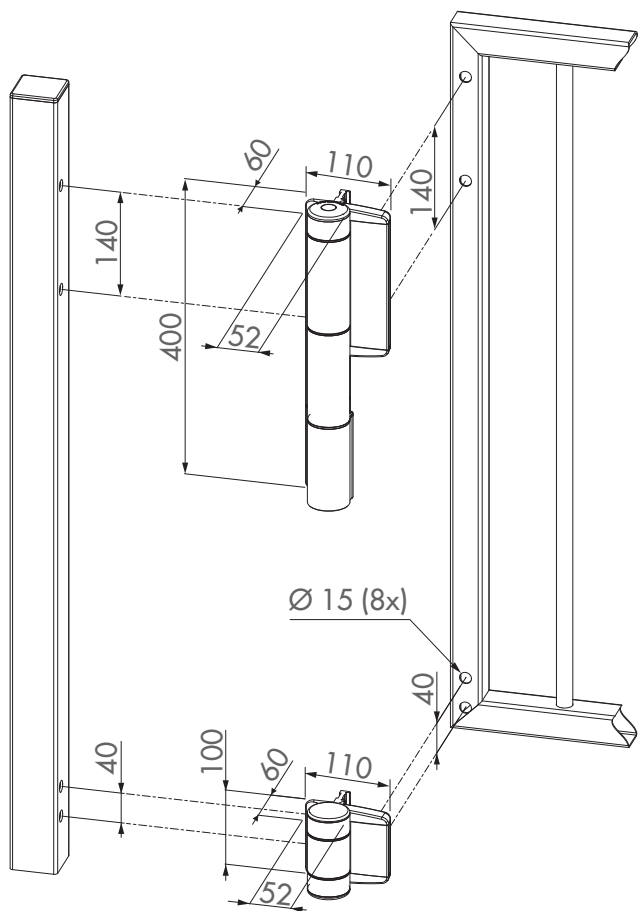
Please contact your supplier should any of the above items be damaged or missing.

3. Specifications

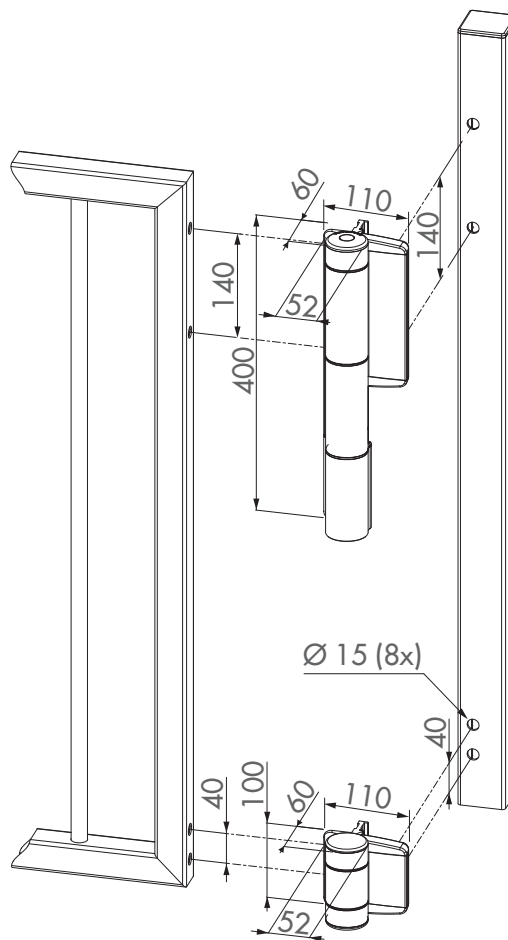
- Max Weight: 150 kg
- Max Width: 155 cm (for heavy gate)
- Max opening angle: 180°
- Hinge Gap: 15 mm to 35 mm adjustable
- Temperature range: Stable: -20° C to +70°C
- Vertical Adjustment: 20 mm
- Horizontal Adjustment: 20 mm
- Smooth or Snap closing action
- Mounting Mammoth: 4 QFs, Dino: 4 QFs
- Drilling Templates Included (2 for Mammoth, 2 for Dino)
- Shipping weight: 4,5 kg

4. Dimensions

A Left hand gate



B Right hand gate



5. Choose the turning-direction of your gate



Before preparing your profiles, decide if you have a left- or right hand door. The fixing of Mammoth 180° and Dino is different for each situation!

A Left hand gate

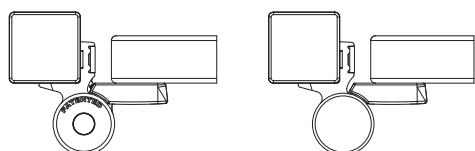
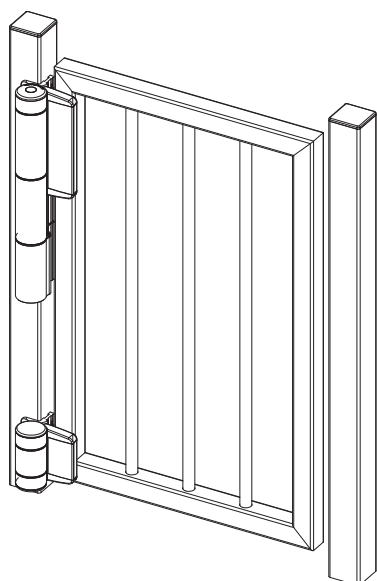


Fig. 5A.1

B Right hand gate

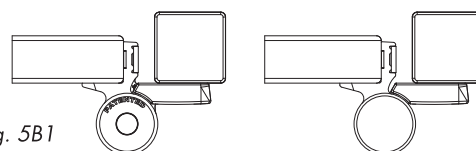
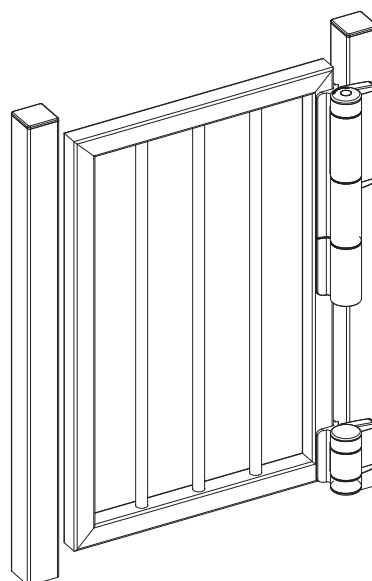
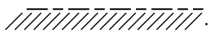


Fig. 5B1

6. Profile preparation

There are four templates included, two for the Mammoth-180 and two for the Dino. Using blocks to hold the gate in place, set the gate into its installed position. Align both sets of templates with the alignment marks .

A Left hand gate

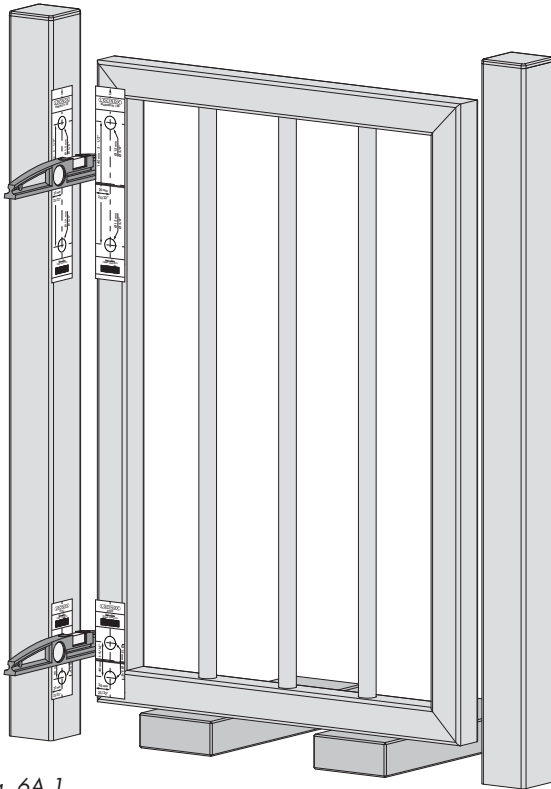


Fig. 6A.1

B Right hand gate

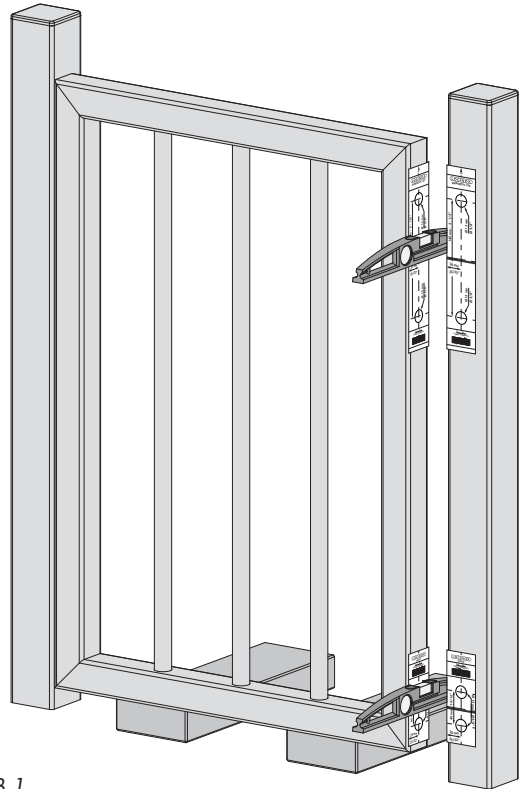


Fig. 6B.1

After aligning stick the templates to gate and post.

A Left hand gate

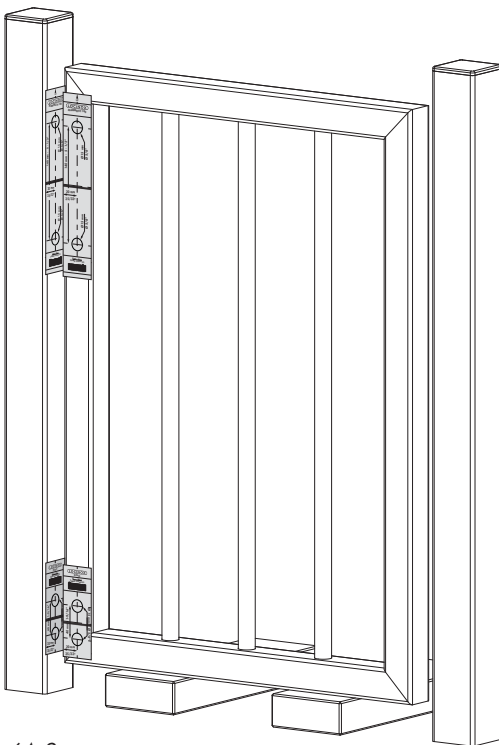


Fig. 6A.2

B Right hand gate

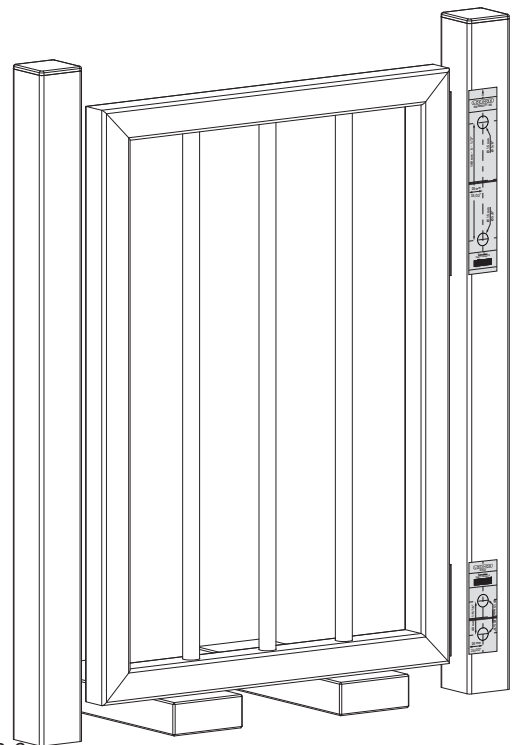


Fig. 6B.2

Center punch the positions for the holes, REMOVE THE TEMPLATES, and then drill the holes as marked on the templates.

A Left hand gate

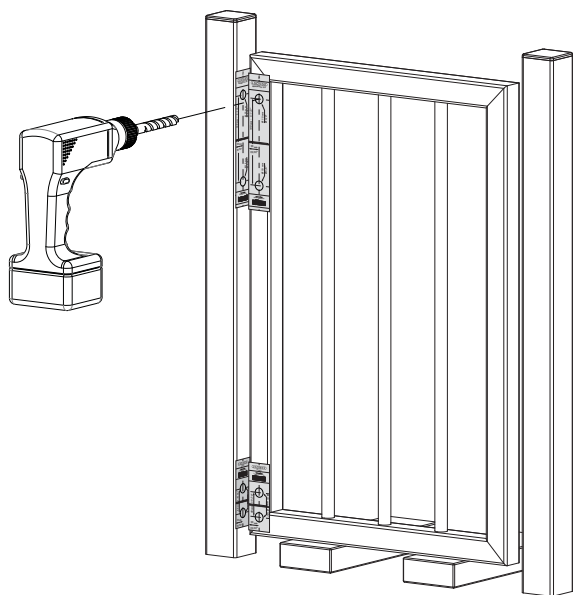


Fig. 6A.3

B Right hand gate

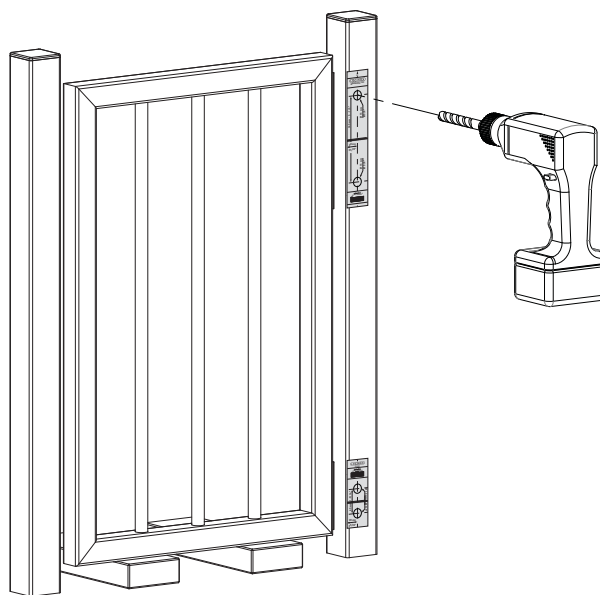


Fig. 6B.3

7. Mammoth and Dino preparation

Remove the covercap and slide out the Quick-Fix cover.

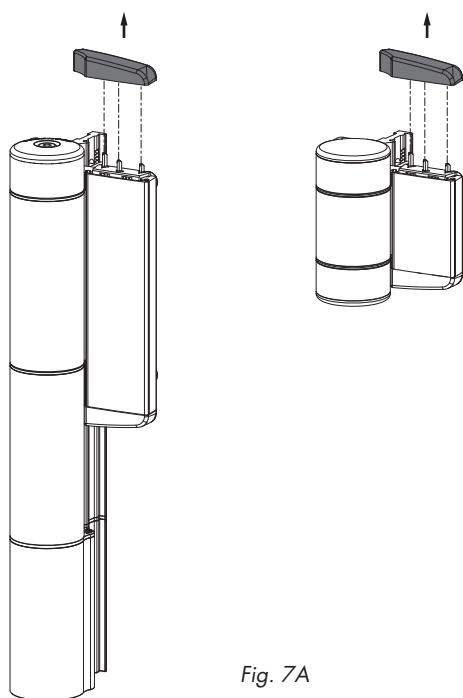


Fig. 7A

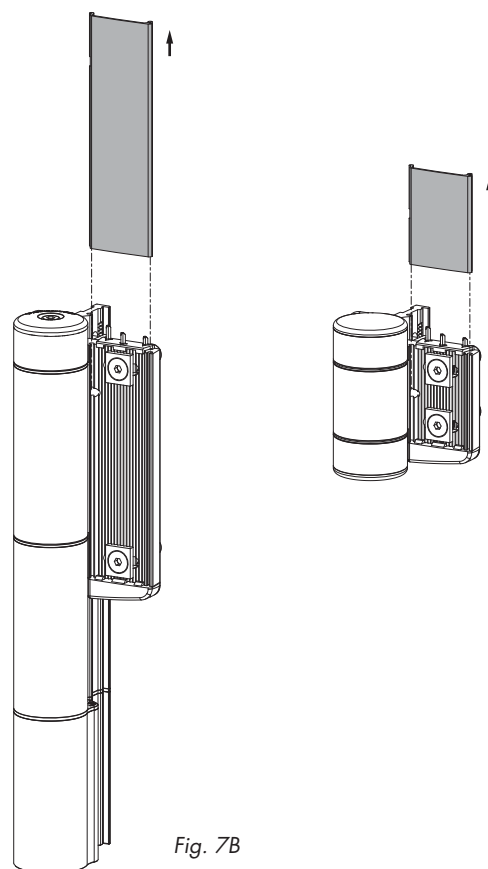


Fig. 7B

8. Mounting the gatecloser

Place the Mammoth-180 on the gate or post and tighten the Quick-Fix bolts. Always start by mounting the left side hardware (L-wing side). Repeat this process for the Dino.

A Left hand gate

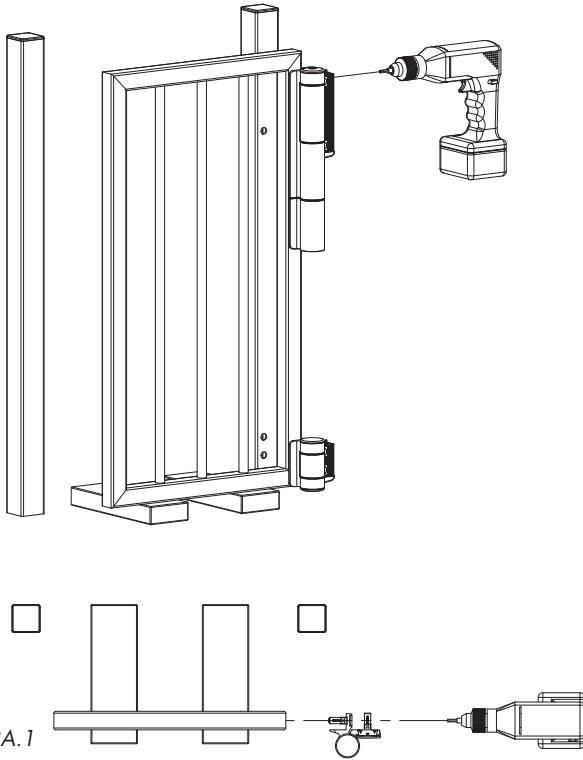


Fig. 8A.1

B Right hand gate

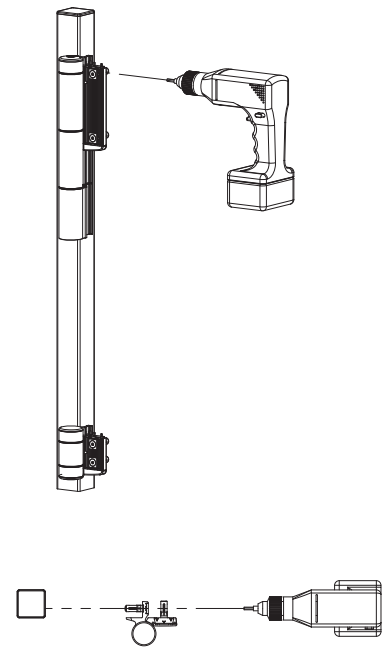


Fig. 8B.1

After mounting the left side, install and tighten the right side hardware on the Mammoth and Dino.

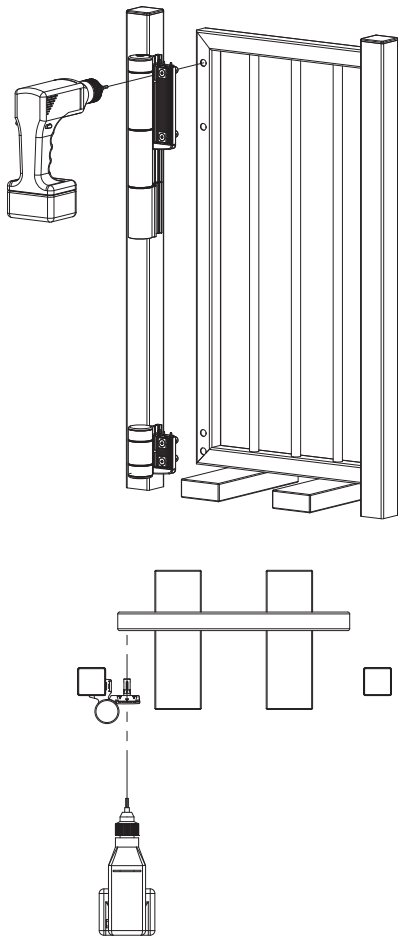


Fig. 8A.2

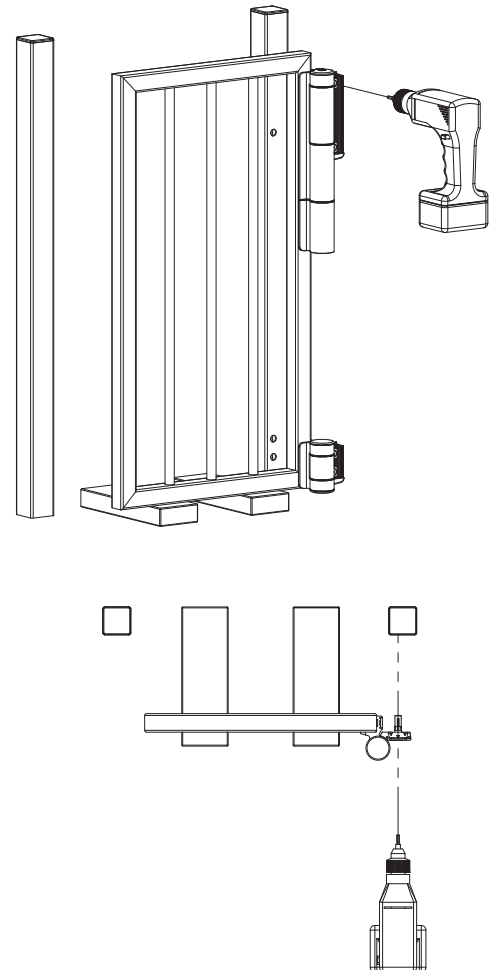
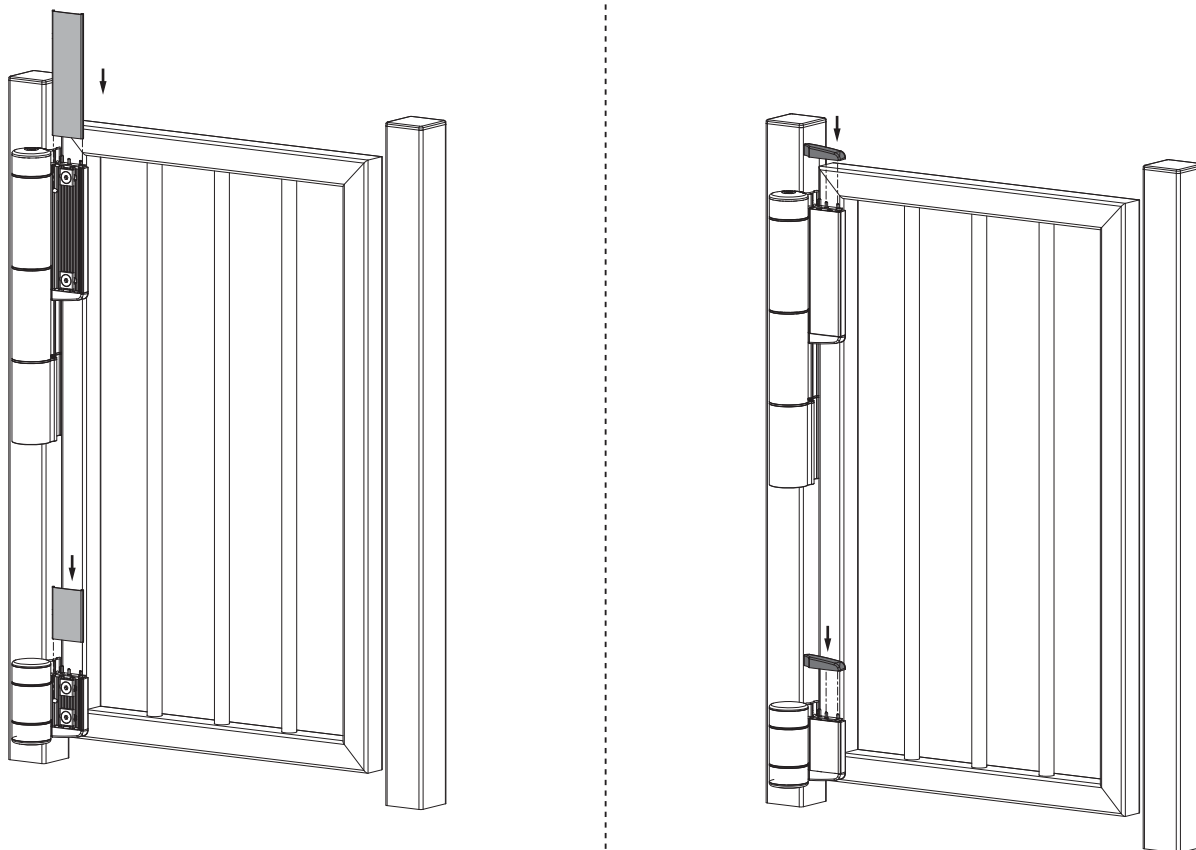


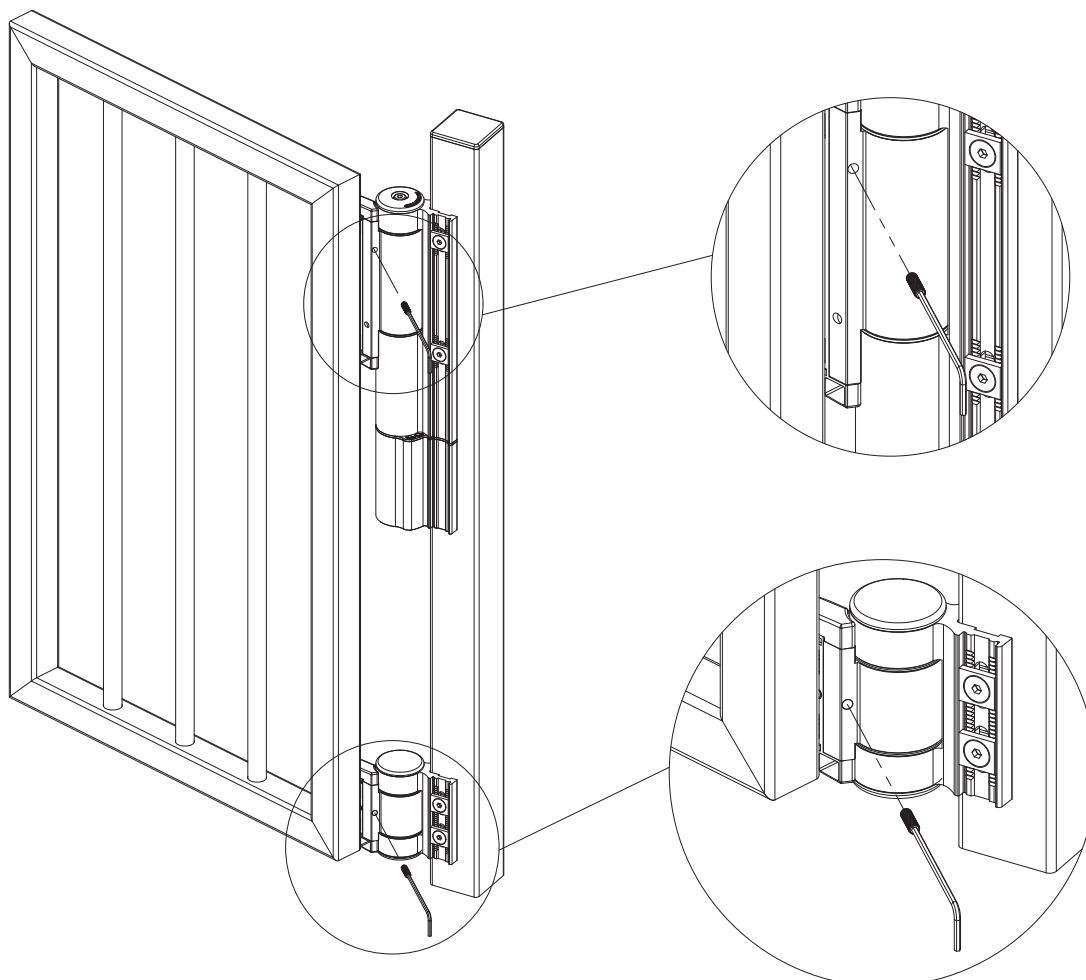
Fig. 8B.2

9. Finishing Mammoth and Dino

Slide the Quick-Fix cover back in place and replace the covercap.

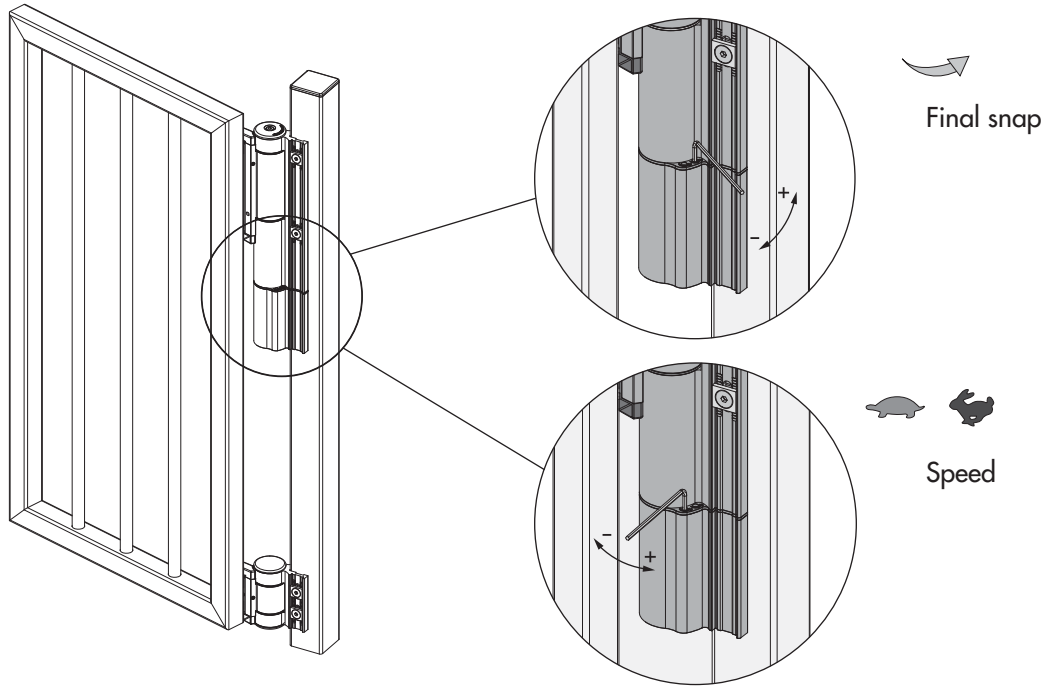


Open the gate and lock the Quick-Fix cover with the included setscrews.



10. Speed and final snap adjustment

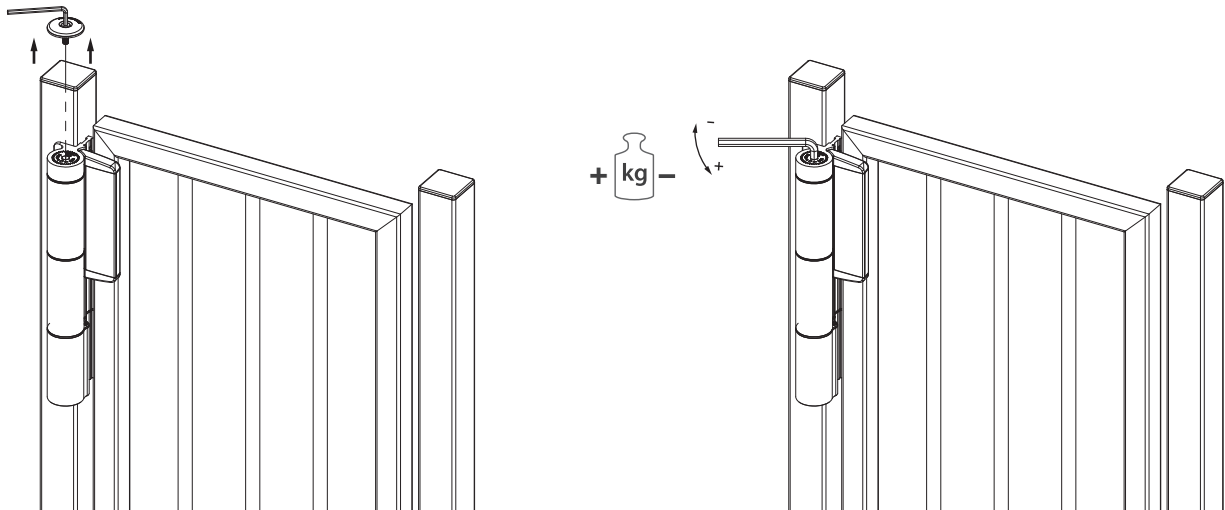
Final snap and speed can be adjusted by means of the included 3 mm Allen key.



11. Force adjustment

Out of the box, the Mammoth 180° is set to its maximum closing-force: 15 Nm. We advise not to adjust the closing-force unless you have a specific application that requires a lower opening force.

Start by removing the cover cap. Insert the Allen key and push down firmly to disengage the spring. Turn the screw clockwise to decrease the spring force. Max 180° of closing force adjustment. DO NOT use excessive force on the Allen key while adjusting the force.



12. Finalising the installation



After the speed, closing force, and final snap action have been tested to your satisfaction, install the cap on the force adjustment screw.

